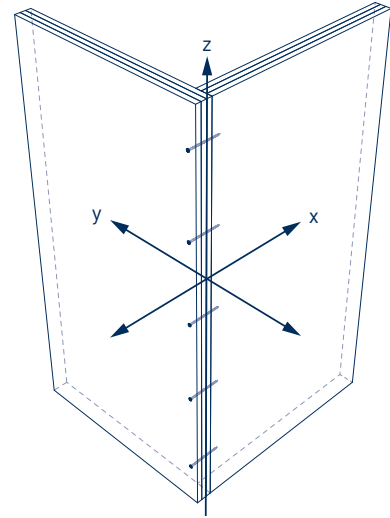


Dimensioning template for CLT connections



Executing company			
Contact person			
Postcode		Place	
Phone		Fax	
E-mail			
Building project			

Components:

Location:	<input type="checkbox"/> wall-wall	<input type="checkbox"/> T-joint	<input type="checkbox"/> L-joint
	<input type="checkbox"/> ceiling-wall		

wall-wall:

wall 1	Thickness [mm]:
	Top layer orientation <input type="checkbox"/> y-direction <input type="checkbox"/> z-direction
wall 2	Thickness [mm]:
	Top layer orientation <input type="checkbox"/> y-direction <input type="checkbox"/> z-direction

ceiling-wall:

ceiling	Thickness [mm]:
	Top layer orientation <input type="checkbox"/> y-direction <input type="checkbox"/> x-direction
wall	Thickness [mm]:
	Top layer orientation <input type="checkbox"/> y-direction <input type="checkbox"/> x-direction

Load (wall-wall):

Utilisation class:	<input type="checkbox"/> 1 <input type="checkbox"/> 2
Rated load:	
Load direction:	<input type="checkbox"/> x-direction _____ [kN/m]
	<input type="checkbox"/> z-direction _____ [kN/m]
	<input type="checkbox"/> xz-direction _____ [kN/m]
Load duration:	<input type="checkbox"/> permanent <input type="checkbox"/> long-term <input type="checkbox"/> medium-term <input type="checkbox"/> short-term <input type="checkbox"/> very short-term

Load (ceiling-wall):

Utilisation class:	<input type="checkbox"/> 1 <input type="checkbox"/> 2
Rated load:	
Load direction:	x-direction _____ [kN/m]
Load duration:	<input type="checkbox"/> permanent <input type="checkbox"/> long-term <input type="checkbox"/> medium-term <input type="checkbox"/> short-term <input type="checkbox"/> very short-term

Tip: Our dimensioning software is available to download free of charge at www.sihga.com!
Accurate completion of the dimensioning template enables fast and reliable dimensioning.